

INSTALLATION INSTRUCTIONS

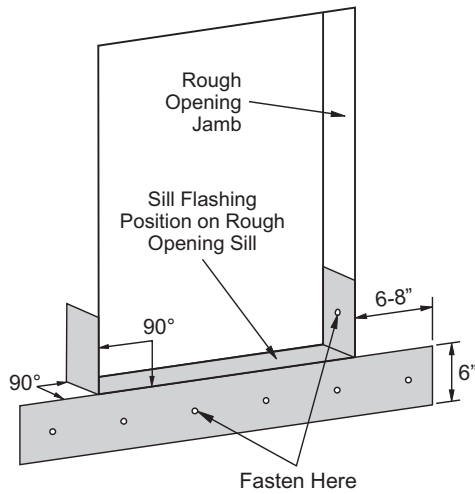


Figure 1

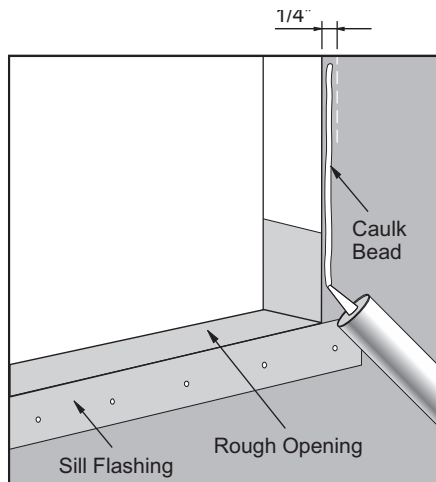


Figure 2



Figure 3

Prepare the Opening

1. Ensure the rough opening is 1/2" larger in width and height than the window and that it is plum and square.
2. Close and lock the sash to help keep the unit square.
3. Apply flashing to the sill. (See Figure 1)
4. Apply a continuous bead of silicone caulk to the perimeter of the rough opening where the nail fin will make contact (no more than 1/4" from the edge of the rough opening). (See Figure 2)

Install the Window

5. Place 1/4" shims at either end and in the middle of the sill plate. Place the window in the rough opening from the outside and center the unit in the opening, leaving a 1/4" gap between window unit and rough opening structure on all sides. Units wider than 30" should have additional shim support at the sill every 12". (See Figure 3)
6. Secure the unit by loosely nailing through the center of a nail slot at the top of one of the jambs using a galvanized roofing nail or a #8 pan head corrosion resistant screw. (See Figure 4)

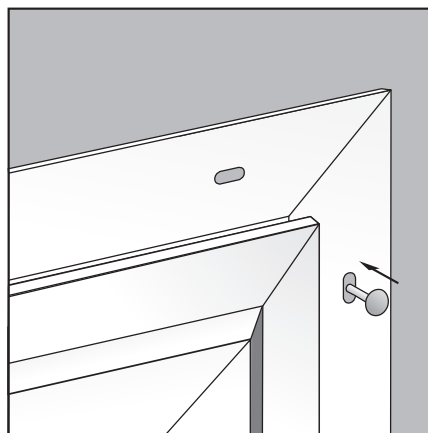


Figure 4

INSTALLATION INSTRUCTIONS

Install the Window (Continued)

7. Check to make sure the sill is level and shim as necessary at the sill ends.
8. Make sure the frame is plumb and jambs straight, shim at top, bottom and mid point to correct any deflection.
9. Take diagonal measurements to assure the unit is square. Opening the bottom sash approximately 1/4" will provide visual confirmation of proper setting if the reveal between frame and sash are equal the entire width. (See Figure 5)
10. Finish nailing the unit using every other nail slot at a minimum. Use galvanized roofing nails or #8 pan head corrosion resistant screws capable of penetrating 3/4" of the framing structure. Make sure jambs are not bowed and head and sill are not crowned up or down.
11. Operate the window to confirm proper installation.
12. Use a 6" felt paper, or equivalent, flashing over the nail fin on jambs first. Flashing should extend 6" above the head of the window and 6" below the sill of the window. Apply the flashing at the head and overlap the jamb flashing on either side. (See Figure 6)
The head flashing should be caulked or taped on the top edge. (See Figure 7)
13. Use fiber glass insulation to insulate the cavity between the window and rough opening structure.

Caution: Do not use expanding or spray-in foam products. Using these products will void the warranty.

If using brick or stone exteriors, leave a 1/8" gap from the window unit to allow for brick and mortar expansion. Use a backer rod and silicone caulk to seal the gap.

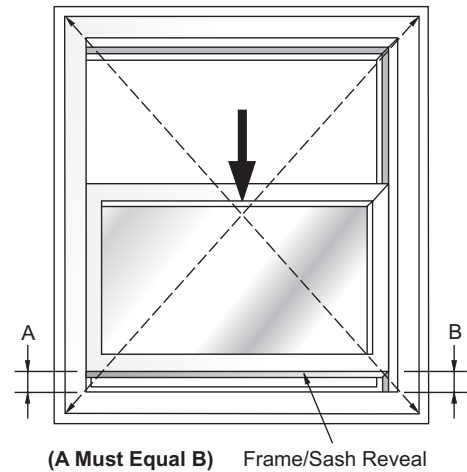


Figure 5

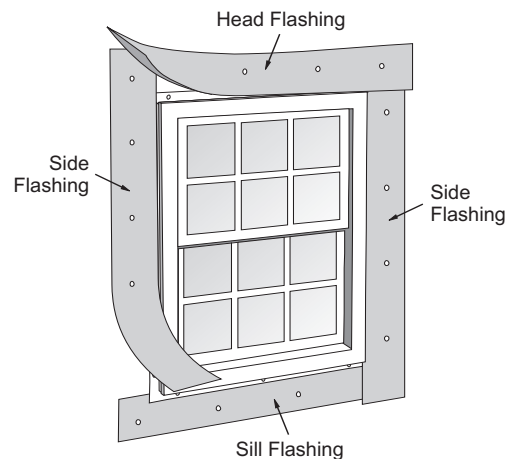


Figure 6

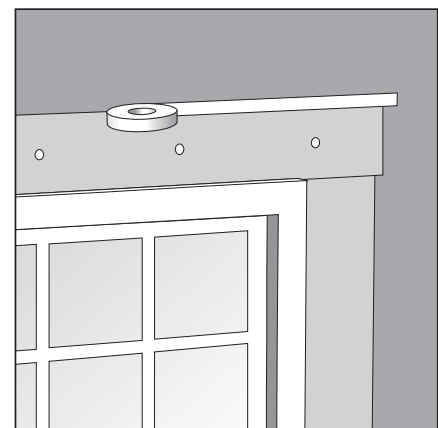


Figure 7