

INSTALLATION INSTRUCTIONS

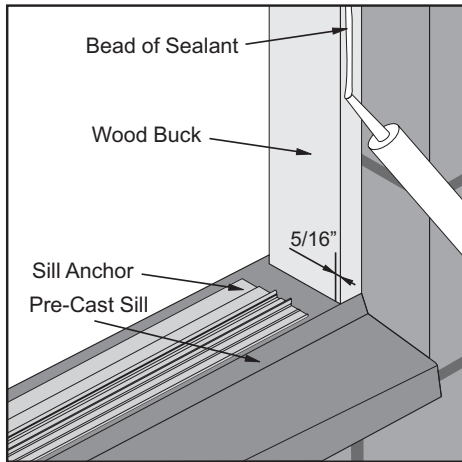
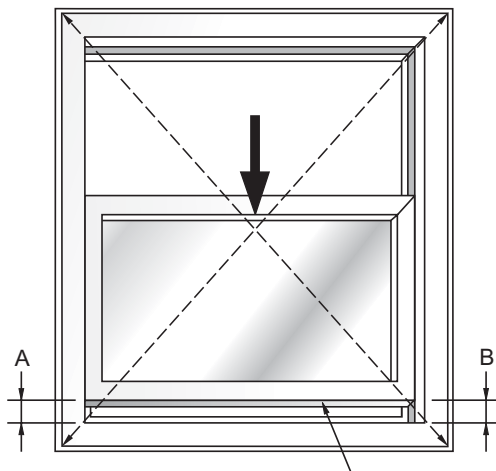


Figure DH 1



Figure DH 2



(A Must Equal B) Frame/Sash Reveal

Figure DH 3

Flange Window into Block Construction

1. Close and lock the window to help keep it square.
2. Place the sill anchor plate on the pre-cast sill, and position it approximately 5/16" back from the outside edge of the buck. Shim to level if necessary and secure the sill anchor plate to the pre-cast sill with #10 x 2" Tapcon® masonry fasteners. See Figure DH 1 and DH 4.
3. Run a bead of silicone caulk on the outside surface of the wood buck and pre-cast sill where the window flange will make contact. See Figure DH 1.
4. Set the window into the opening from the outside so the flange makes contact with the outside surface of the wood buck and pre-cast sill. Make sure the sill anchor plate interlocks with the bottom of the window to assure integrity of sill under negative and positive pressure. See Figure DH 2 and DH 4.
5. Center the window in the opening and check to make sure it is plumb and square. Take diagonal measurements to assure unit is square. Opening the bottom sash approximately 1/4" will provide visual confirmation of proper setting if the reveal between frame and sash are equal the entire width. Shim as necessary between the rough opening and the window frame at pre-punched installation hole locations. See Figure DH 3.
6. Secure the window in the opening through the pre-drilled holes in jambs and head using Tapcon® masonry fasteners. To access installation screw holes in the head, use a putty knife to remove snap in head cover. Replace head cover after screws are set. All fasteners must have at least a 1-1/2" penetration into the masonry. See Figure DH 5 (head shown, jamb similar).
7. From the exterior, caulk along the flange of the window to assure a watertight seal.
8. Operate the window to confirm proper installation.
9. Use fiberglass insulation to insulate the cavity between the window and rough opening.

CAUTION: Do not use expanding or spray foam products. Using these products voids the warranty.

INSTALLATION INSTRUCTIONS

Picture Window

1. Remove installation screw track covers to expose the channel for installation screw locations. See Figure PW 1.
2. Place the sill anchor plate on the pre-cast sill, and position it approximately 5/16" back from the outside edge of the buck. Shim to level if necessary and secure the sill anchor plate to the pre-cast sill with #10 x 2" Tapcon® masonry fasteners. See Figure DH 1 and DH 4.
3. Run a bead of silicone caulk on the outside surface of the wood buck and pre-cast sill where the window flange will make contact. See Figure DH 1.
4. Set the window into the opening from the outside so the flange makes contact with the outside surface of the wood buck and pre-cast sill. Make sure the sill anchor plate interlocks with the bottom of the window to assure integrity of sill under negative and positive pressure. See Figure DH 2 and DH 4.
5. Center the window in the opening and check to make sure it is plumb and square. Take diagonal measurements to assure unit is square. Shim as necessary between the window and rough opening and the window frame at pre-punched installation hole locations.
6. Secure the window in the opening through the pre-drilled holes using Tapcon® masonry fasteners. All fasteners must have at least a 1-1/2" penetration into the masonry. See Figure DH 5.
7. Replace installation screw track covers. See Figure PW 1.
8. From the exterior, caulk along the flange of the window to assure a watertight seal.
9. Use fiberglass insulation to insulate the cavity between the window and rough opening.

CAUTION: Do not use expanding or spray foam products. Using these products voids the warranty.

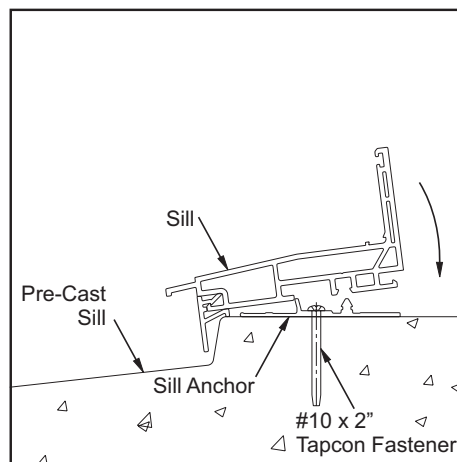


Figure DH 4

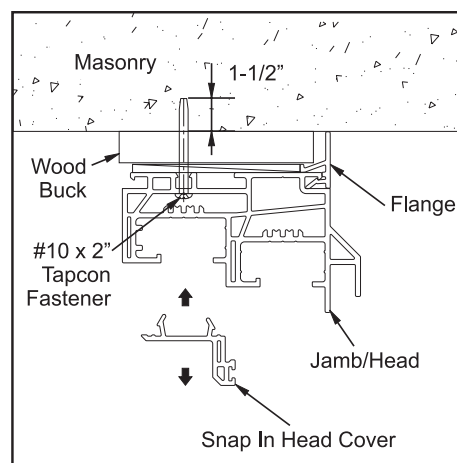


Figure DH 5

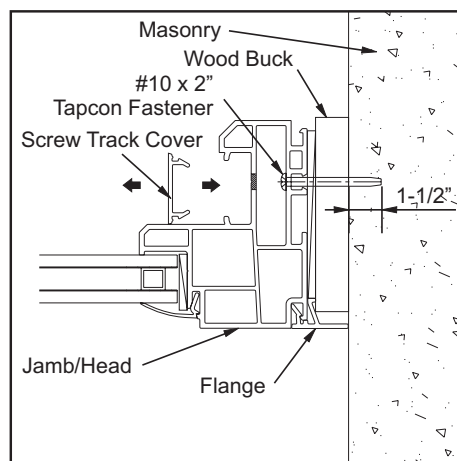


Figure PW 1