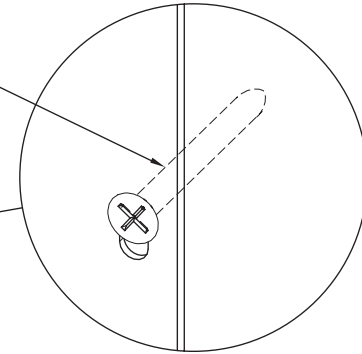


EXTERIOR VIEW

NAIL FIN SCREW
DETAIL A

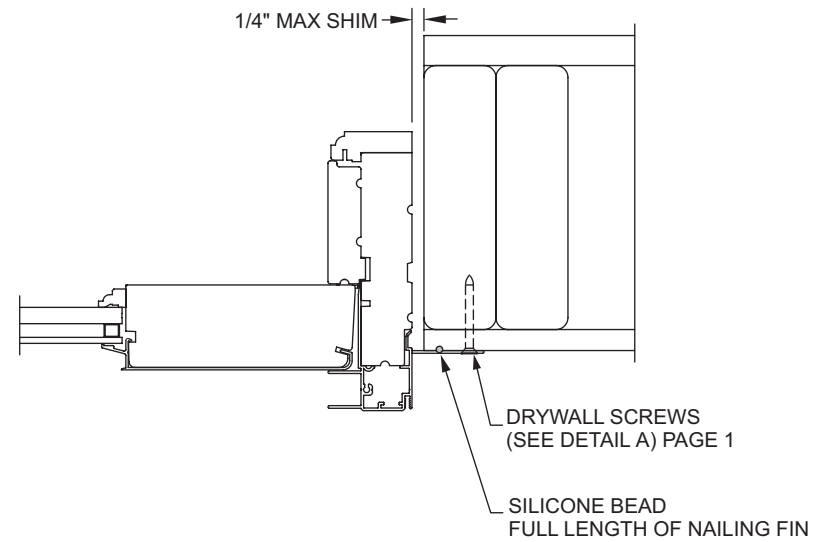
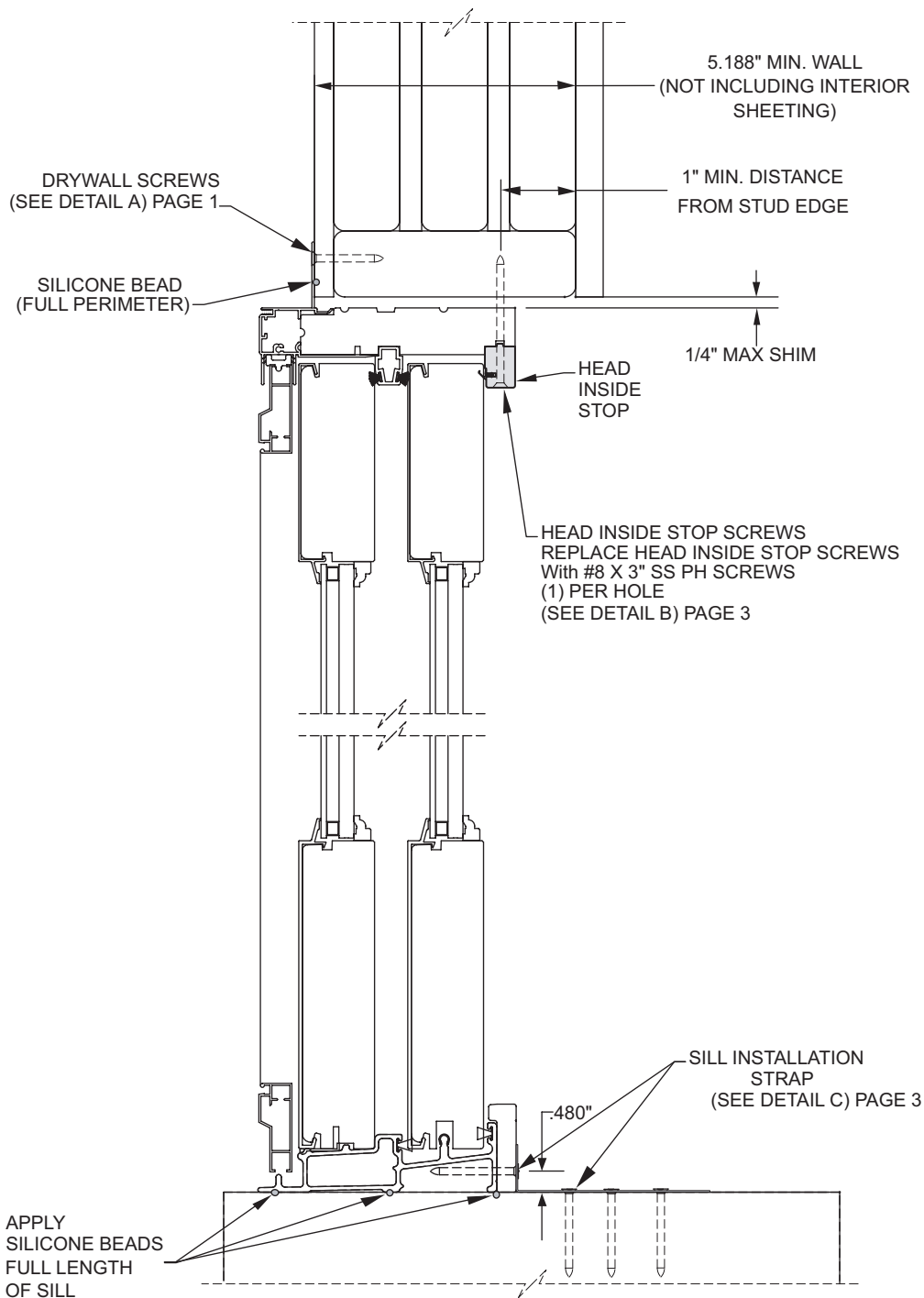
#8 X 1-5/8" GALVANIZED
DRYWALL SCREW



IMPORTANT NOTE:

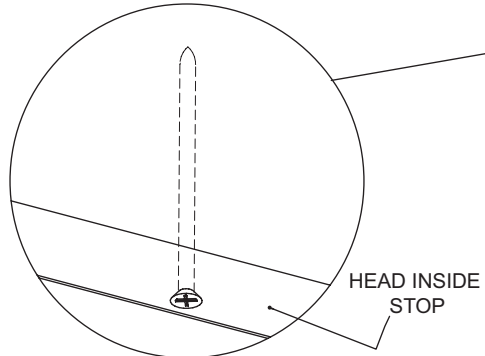
1. DUE TO ANCHORING REQUIRMENTS OF THE HEAD INSIDE STOP, SCREWS NEED A MINIMUM WALL DEPTH OF 5-3/16" (EXCLUDING INTERIOR SHEETING)
2. ALL SILICONE, USED IN THIS INSTALLATION, **MUST BE** OF HIGH QUALITY AND COMPATIBLE FOR USE IN STRUCTURAL APPLICATIONS
3. ALL STRUCTURAL SILICONE MUST ADHEER DIRECTLY TO SHEETING AND SUB-STRATES, MAKE SURE ALL HOUSE WRAP, WINDOW TAPE, AND FLASHING ARE REMOVED FROM DOOR OPENING PRIOR TO INSALLATION.
4. PLEASE NOTE: SILL PANS ARE **NOT RECOMENDED** FOR USE WITH THIS PRODUCT.

INSTALLATION INSTRUCTIONS
PLEASE READ BEFORE YOU BEGIN.
IMPACT IG SLIDING PATIO DOOR
PAGE 1 OF 3



INSTALLATION INSTRUCTIONS
PLEASE READ BEFORE YOU BEGIN.
IMPACT IG SLIDING PATIO DOOR
PAGE 2 OF 3

HEAD INSIDE STOP SCREW
DETAIL B



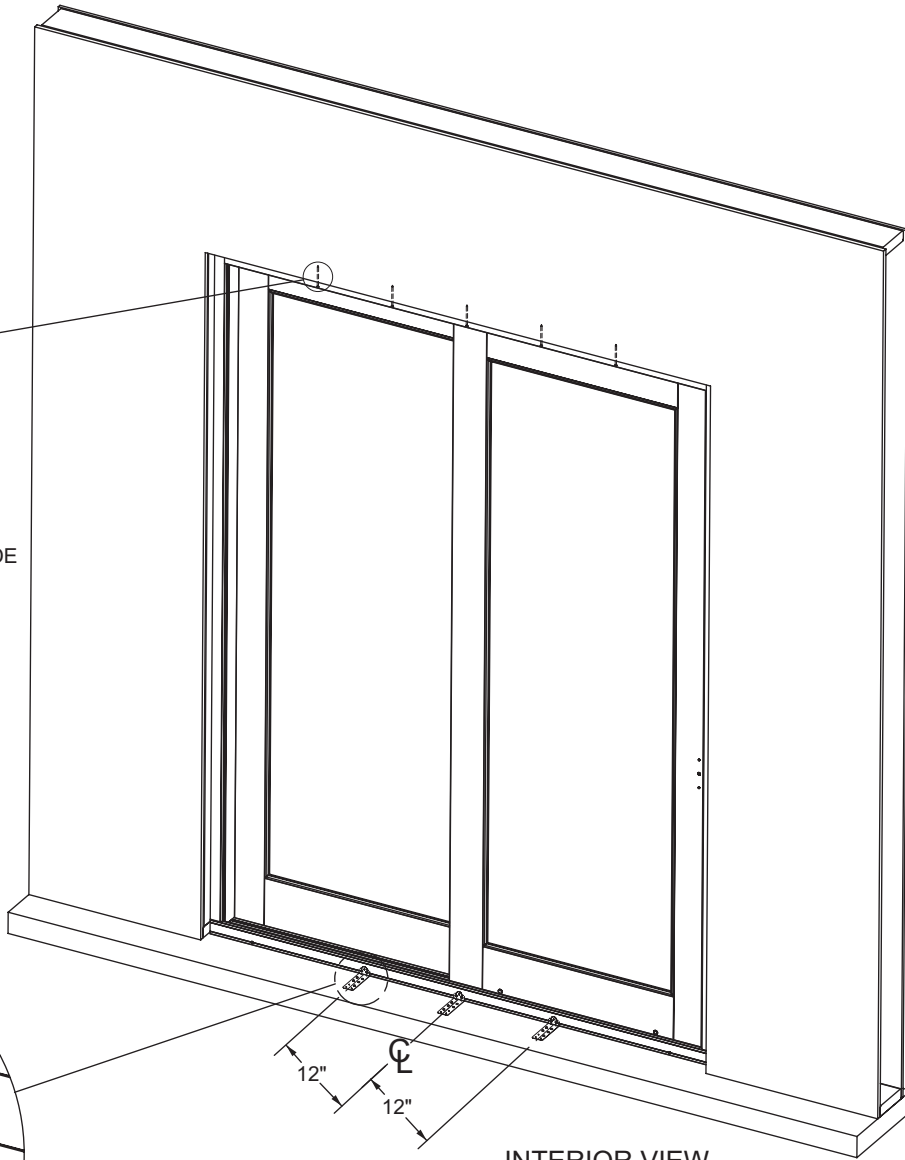
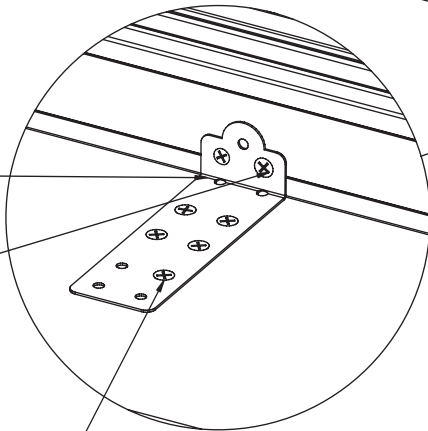
HEAD INSIDE STOP
SCREWS
#8 X 2" Stainless Steel PH SCREWS
(1) PER HOLE

SILL INSTALLATION
STRAP DETAIL
DETAIL C

BEND
STRAP AT
90°

#8 X 2" GALVANIZED SCREWS
(2) PER STRAP, (6) TOTAL

#8 X 2" CONCRETE SCREWS
(5) PER STRAP, (15) TOTAL
INTO CONCRETE FLOOR OR SUBSILL



INTERIOR VIEW

INSTALLATION INSTRUCTIONS
PLEASE READ BEFORE YOU BEGIN.
IMPACT IG SLIDING PATIO DOOR
PAGE 3 OF 3