

1. What is the difference between new construction and retrofit?

The difference is in the overall jamb depth and required components:

For new construction, the flash flange on the head of the unit is left intact; for retrofit, it is removed.

Also, on a new construction unit, three more flash flange pieces are supplied (in addition to the one shown in the photo). They are installed on the sides and bottom of the unit during installation.

A retrofit unit requires no additional components and should be sized as noted in the photograph below and in the drawings on page 3.

2. How do I determine the size of unit to order?

You should order it sized 1/2" less in height and 1/2" less in width than the rough opening.

3. Do I have to allow for insulboard in the size of the rough opening?

No, the insulboard is only as wide as the unit projection (17" for retrofit, 18.375" for new construction).

4. What is the "R" value of the insulboard?

The insulboard has an "R" value of 5.

5. This unit is going over a sink and between cabinets. How much clearance do I have for trim; what is the daylight opening?

The opening equals the width minus (1.25" x 2).

For example:

$35.5" - (1.25" \times 2) = 33"$ daylight opening

6. What is the clearance between the seat board and the operator? Do I have room to lay tile over the seat board?

The clearance between the seat board and the operator is 1.313."



New Construction: The flange is installed against the exterior face of the wall (either sheathing or insulation board).

As you can see in the photo, there is approximately 1.375" to the left of the flange for J-channel or exterior wall treatment. **Note:** On new construction brick or masonry installations, measure the entire wall thickness.

Retrofit: With retrofit, the full wall width should be considered: exterior face to interior face.

New Construction / Retrofit

7. Do jamb extensions come in standard sizes?

No, this is a custom jamb made to order, so proper measurement is very important! The minimum jamb extension is 2 inches, the maximum is 4 feet.

If a garden window unit has been incorrectly ordered because of jamb, head and seat board sizing, we offer two options:

(a) At the customer's request, we will re-work the unit to the correct jamb thickness. The customer would be responsible for shipping the unit to Ventana and would incur the costs associated with the re-work.

(b) If that is not feasible, the installer can build out the short existing jambs, head and seat board and overlay them with .25" plywood veneer. (Although we have supplied white high-pressure laminate in the past, we do not supply veneer.)

8. What should I know about shelves, standards and brackets?

See page 4 for installation.

Units up to 42" wide need two standards; units 42" up to 49" need three standards; units 49" up to 72" wide need four standards.

To avoid breakage, it is critical that the standards be located correctly!

The shelf is not tempered, the middle of the shelf must be supported, the standards and brackets are available at hardware stores.

9. How much weight can I put on a shelf?

No more than 8 lbs. per square foot.

10. What do I need to consider when ordering a shelf?

If it is a shelf to replace a damaged shelf, only the shelf is needed.

If it is for a unit which did not have a shelf for the original order, a shelf kit is required. The kit contains a shelf, brackets, standards, hardware and installation instructions.

Note: Follow the instructions when installing the standards! Damage could occur if done incorrectly!

11. Is bracing/support needed under the unit?

No, not under normal circumstances; only if large plant pots or exceptionally heavy loads are placed inside the unit, or if the unit is oversized. (We do not make oversized units and we do not supply braces.)

12. How do I install the insulation board after the unit is installed?

See page 5.

13. What are the minimum and maximum sizes?

The recommended sizing parameters are as follows:

Minimum Size (inches)

Width	Height
24	30

Maximum Size (inches)

Width	Height
72	30 to 48
70	30 to 49
69.875	30 to 50
69.75	30 to 51
69.625	30 to 52
69.5	30 to 53
69.375	30 to 54
69.25	30 to 55
69.125	30 to 56
69	30 to 57
68.875	30 to 58
68.75	30 to 59
68.625	30 to 60
68.5	30 to 61
68.375	30 to 62
68.25	30 to 63

14. Are the screens aluminum?

Garden window screens have aluminum frames with a fiberglass mesh screen fabric.

15. Do you provide touch-up paint?

We supply bottles of touch-up paint (.6 oz) with painted profiles.

16. If my seat board is wood, what kind of stain or paint can I use?

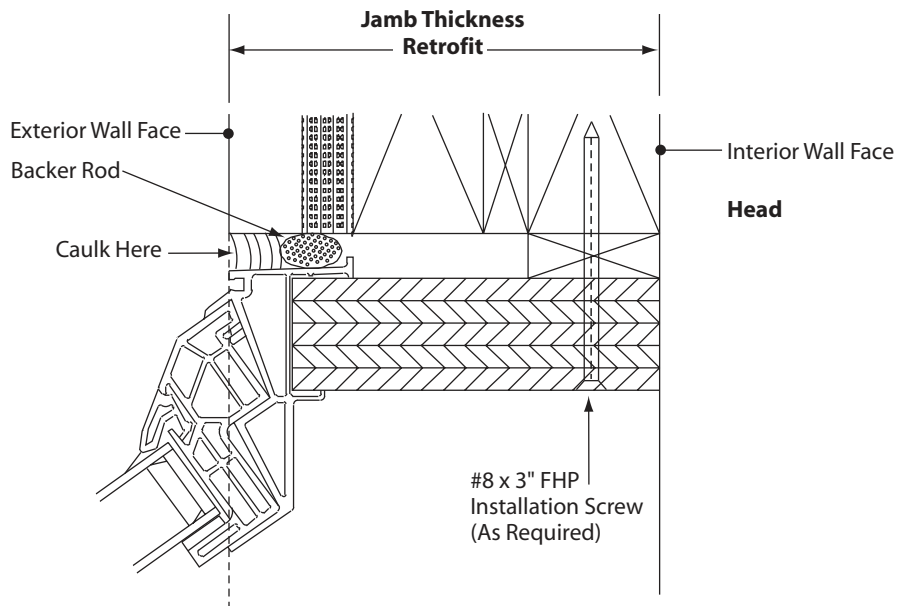
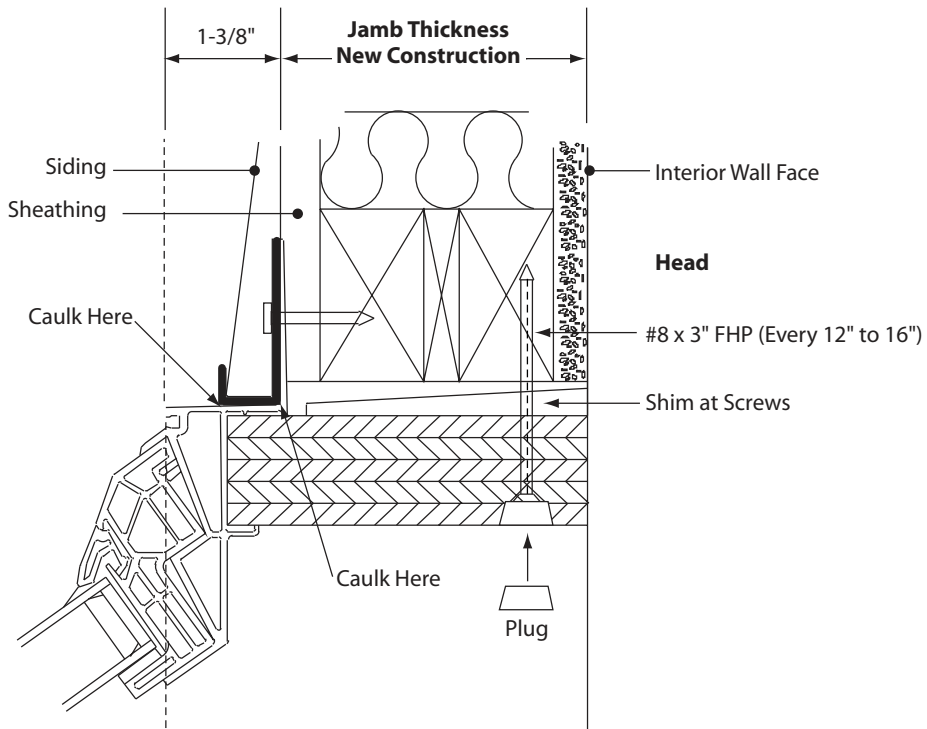
All interior wood components, including the seat board, must be properly sealed. Do not use water-based compounds!

Stain: Use an oil-based exterior stain followed by an oil-based polyurethane finish coat.

Paint: Use an oil-based exterior primer followed by an oil-based exterior finish coat.

Series 2050 Garden Window
Frequently Asked Questions

Measuring New Construction and Retrofit



Series 2050 Garden Window
Frequently Asked Questions

Shelf Standard and Bracket Installation

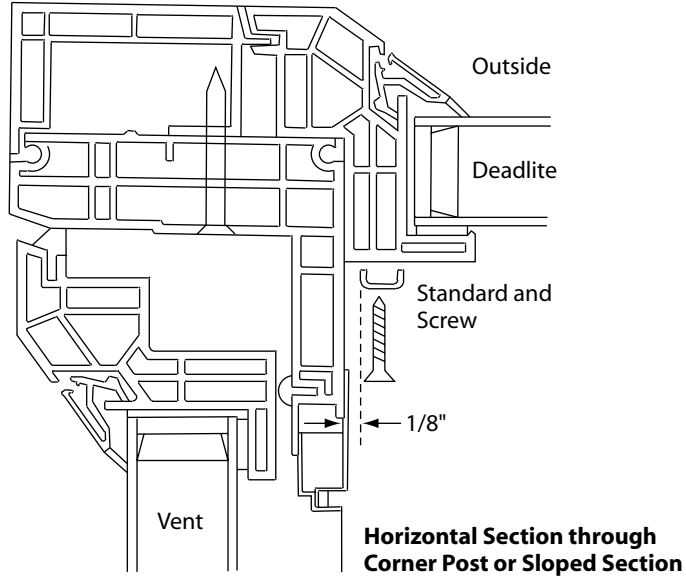
1. Place standard (vertical track) 1/8" in from inside corner of vinyl frame, placing notched portion down, setting on step of vinyl frame.

Warning! Do not exceed 1/8" dimension or glass breakage could occur!

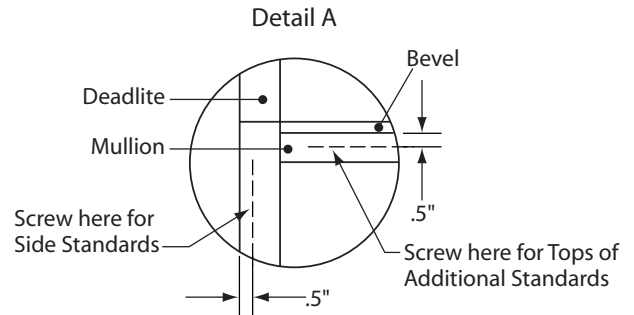
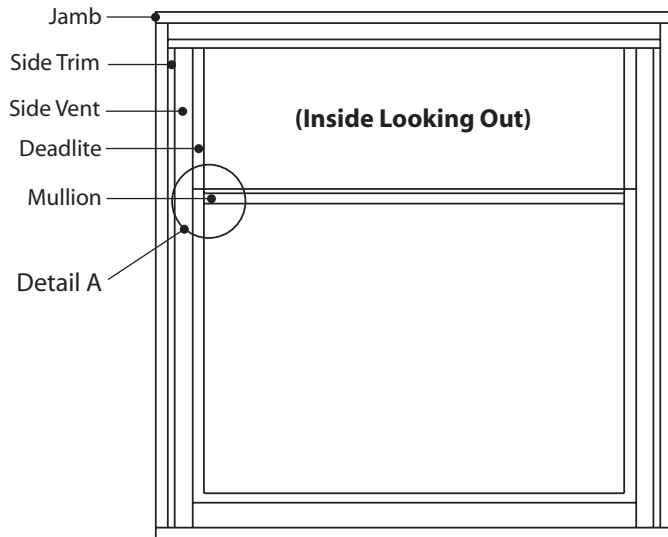
2. Mark hole locations with a pencil.
3. **Drill pilot holes through the first wall only!**
4. Position vertical standard and attach using 1-1/2" screws. **Do not use a screw over 1-1/2" in length and do not over-tighten screws!**

Note: Larger units require additional standards, spaced equally between end standards, attached top and bottom only!

Top view cut-away of corner post



Inside view with shelf bracket screw location



Screws used for shelf brackets must be located within the .5" areas indicated or glass breakage will occur.

The mullion dimension is from the bevel down toward the glass .5".

The deadlite dimension is from the inside vent toward the glass .5".

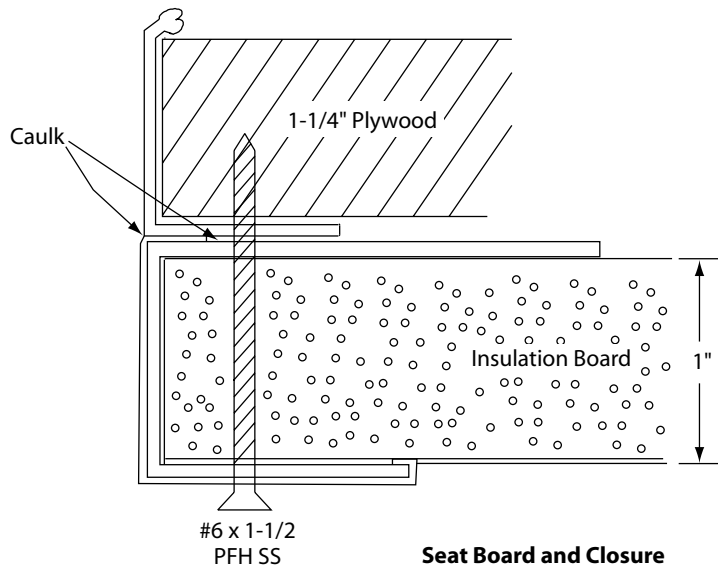
Screws can be placed along the entire length of these frame members adhering to these measurements.

Recommended screw size is #6x1.5".

Series 2050 Garden Window
Frequently Asked Questions

Insulboard Installation

To apply the insulboard after the unit is installed, screw through the insulboard into the seat board around the perimeter of the unit.



Series 2050 Garden Window

Frequently Asked Questions

Lock Adjustments

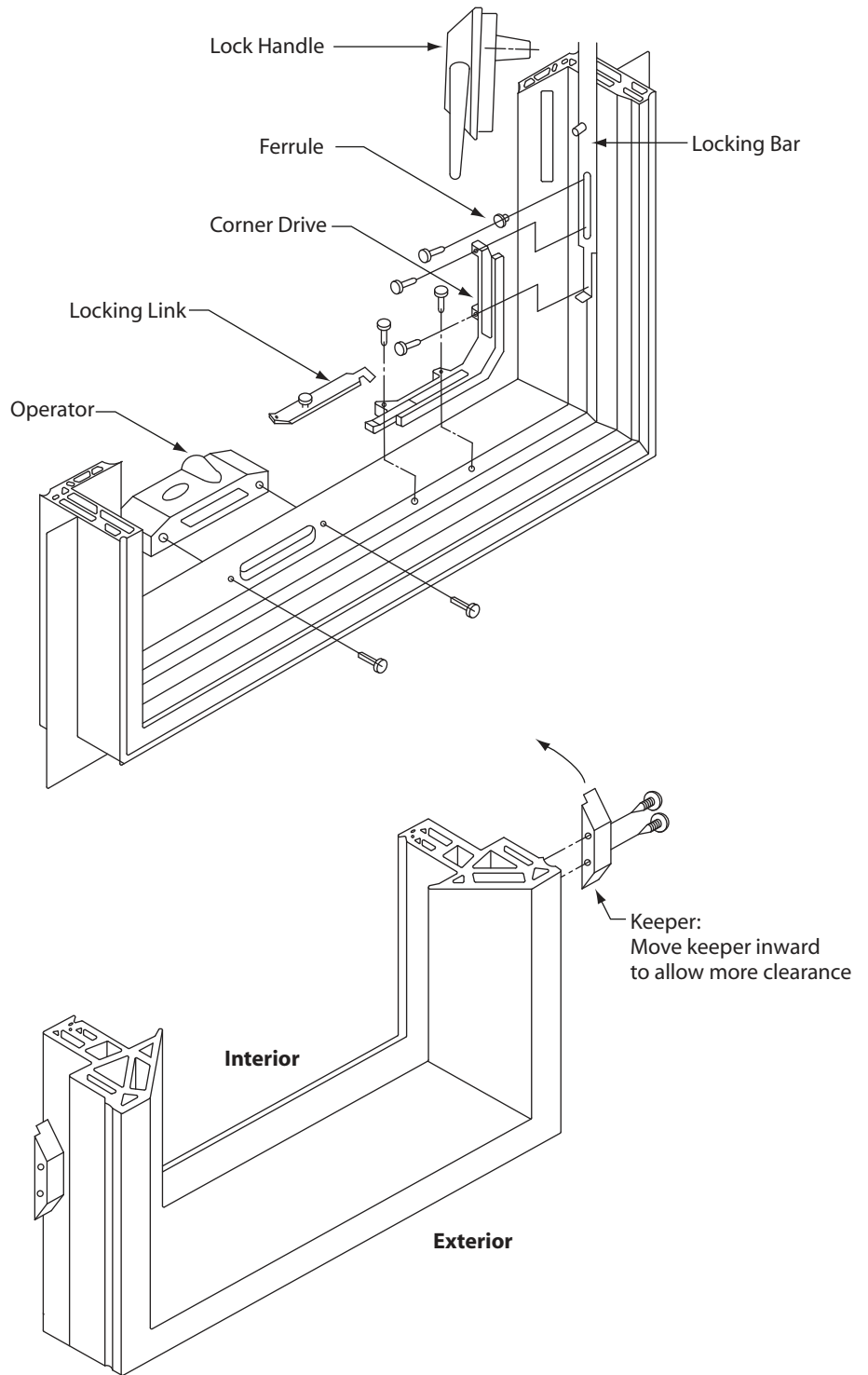
If locking system problems occur, make adjustments as explained below.

Check to see that the operator moves freely with the window in the open position. If binding occurs, the problem will be with the lock handle or corner drives: one (or both) may need to be greased or replaced. Another possibility is that the screws in the lock bar are not centered and the bar is rubbing against the ferrules.

If the locking system moves freely, close and lock the window. A binding or hard-to-lock condition indicates a tight keeper or misaligned lock bar. Removing each keeper and working the lock handle up and down may help locate the keeper/lock bar pin combination that is binding. To remedy the problem, the keeper can be relocated by moving it slightly inward (away from the sash toward the lock bar pin), and slightly upward or downward, depending on the lock bar pin location.

If visual inspection indicates a lock bar that does not run parallel with the frame, the bar slots can be opened slightly, or the ferrule can be moved outward to place the pin closer to the keeper.

A rubbing or grinding sound will be the lock bar rubbing against a ferrule. Look for this condition on the lock bar to pinpoint the lock bar pin/keeper location. Also inspect the center link between the corner drives: the bent portion of the link can be rubbing or binding on the operator if there is not enough clearance between the two components.



Series 2050 Garden Window
Frequently Asked Questions

Glazing Procedure

Deglazing the unit

Remove the exterior bead (four pieces per IG), place a .25" wood chisel approximately 2" in from either bottom end, and push forward and downward. Place a screwdriver into the gap that develops and, while prying upward, work your way down the entire length of the bead until it lifts out.

Insert a razor blade or EZD Glazer tool between the interior surfaces of the IG and the interior vinyl wall. Cut around the entire interior surface to separate the IG; several attempts may be necessary. Remove the IG by pushing it forward and out.

Glazing the unit

Clean surfaces to which glazing tape or silicone is to be applied.

If using tape, use 1/8" x 1/2" tape for the sloped IG, and 1/16" x 1/2" glazing tape for the vertical deadlite and side vents.

Install the tape across all of the horizontal and vertical rails, trimming the length at each end. Peel back approximately 4" of red plastic coating on the two-sided tape and fold at a 90° angle into the opening. Apply a small bead of clear silicone caulk along the seams and in the corners where the glazing tapes join.

Place 1/8" setting blocks along the sill and tilt the IG into place. DO NOT block any weep openings with the setting blocks! Insert remaining blocks around the perimeter of the window. Check the sightline through the window, making sure that the spacer doesn't show.

Press the IG into position and, while holding an end of the glazing tape plastic coating, slowly pull straight down to remove the remaining coating. Do this around the entire perimeter of the inside opening.

Snap the pieces of bead into position, pushing the end into the corner. It may be necessary to adjust the bead side-to-side or up and down for the final fit.

Apply a bead of caulk to the adjoining bead corners of the sloped lite.