

General Installation Instructions for Quaker Patio Doors

Please read the following instructions thoroughly before beginning the installation process of the patio door. The instructions below are intended as a basic guide for patio door installation. If you require more in-depth instructions, please contact your Quaker dealer.

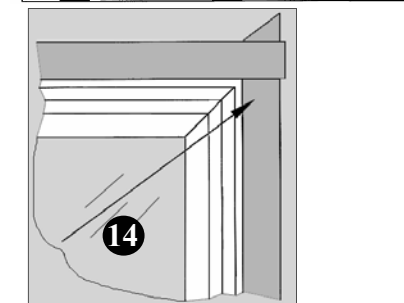
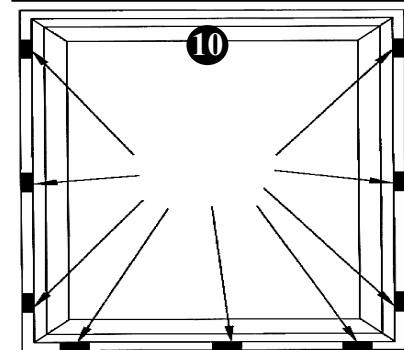
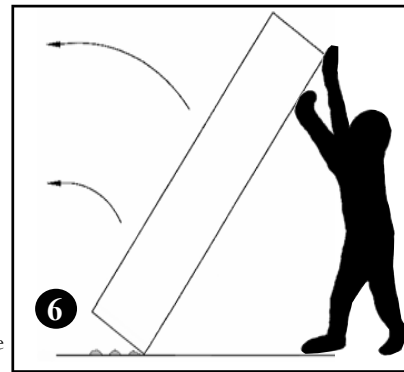
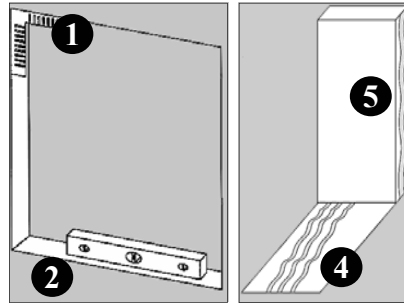
Installation of New Construction Patio Doors in Wall Frame

NOTE: Your patio door should have additional installation instructions attached when delivered. Refer to these instructions for installation of door hardware and screen adjustment.

1. Check rough opening for proper size for your patio door. Make sure the rough opening is plumb and square (figure 1).
2. With a 6'-0" level, check floor inside rough opening for level and straightness (figure 2). There must be no crown or dip in floor as this will cause improper door and screen operation. Correct any problems with floor before proceeding.
3. Patio door is pre-assembled. Inspect door to make sure the sliding door panel is on correct side for your installation. If not, contact your dealer or supplier immediately.
4. Lay down three (3) 1/4" beads of caulk on the floor where the door sill is to set (figure 4).
5. Run a 1/4" bead of caulk outside of the rough opening behind the area in which the nailing fin overlays the opening (figure 5).
6. From outside, insert door into rough opening bottom first. Be sure to set bottom of door into caulking (figure 6). **DO NOT SLIDE THE DOOR INTO THE ROUGH OPENING.**
7. Center the door in the rough opening and tack the bottom corners of the side nail fins. Square the entire door by measuring corner to corner then tacking the two upper corners.
8. Adjust trolleys under sliding door panel until panel is level and square to sill. Trolley adjustment can be accessed from the edge of the patio door by removing the round end cap to expose the screw head.
9. Loosen nails tacked in upper corners of nail fins on exterior and adjust main frame of door so that it aligns with sliding door panel.
10. Shim main frame into place (figure 10).
11. Using 2" roofing nails, nail the pre-punched holes in the jamb fins at 8" to 10" intervals. **DO NOT NAIL EACH HOLE.**
12. Make sure the head of the main frame is straight and level and adjust as needed. Using 2" roofing nails, nail the pre-punched holes in the header fin at 8" to 10" intervals. Again, **DO NOT NAIL EACH HOLE.**
13. Inspect sliding door panel operation for smooth travel and proper alignment with master frame.
14. Apply the flashing over the nail fin along jambs first. Then apply flashing to the patio door header last (figure 14). If properly applied, the flashing will eliminate water infiltration and assure a watertight seal. If sidelites are mullioned to the patio door, a drip cap is required before the flashing can be applied.
15. Insulate around main frame, but do not over pack as this may bow or distort the frame. Caulk around perimeter of the patio door inside & outside. Do not caulk over the weep holes on the exterior sill.

π For application instructions, see your authorized Quaker dealer, or call Quaker Window Products at 573-744-5211.

‡ When using House Wraps and OSB substrates, or with applications under 45°F (7°C), spray an application adhesive (available at your Quaker dealer) around the perimeter of the patio door before applying flashing. Different applications require different spray adhesives so please check with your dealer for the proper type.



WARNING

(Failure to follow these instructions renders all warranties as null & void)

1. Do not expose patio doors to direct heat or sunlight.
2. Store all patio doors inside.
3. Stack patio doors as straight as possible to avoid bowing. Do not lay flat.
4. Do not drill through door sill to install alarm wires.

Special Note: If broken, glass can fragment causing injury. All Quaker products are available with safety glass. In many areas, local building codes require safety glass in certain locations and/or applications. Unless Quaker's stipulations dictate safety glass or safety glass is specifically ordered, Quaker windows are not provided with safety glass. Before installing, Quaker recommends consulting local building codes for more definitive information.

Installation of Replacement Patio Doors

NOTE: Your patio door should have additional installation instructions attached when delivered. Refer to these instructions for installation of door hardware and screen adjustment.

1. Check rough opening for proper size for your patio door. Make sure the rough opening is plumb and square (figure 1).
2. With a 6'-0" level, check floor inside rough opening for level and straightness (figure 2). There must be no crown or dip in floor as this will cause improper door and screen operation. Correct any problems with floor before proceeding.
3. Patio door is pre-assembled. Inspect door to make sure the sliding door panel is on correct side for your installation. If not, contact your dealer or supplier immediately.
4. Lay down three (3) 1/4" beads of caulk on the floor where the door sill is to set (figure 4).
5. From outside, insert door into rough opening bottom first. Be sure to set bottom of door into caulking (figure 6). **DO NOT SLIDE THE DOOR INTO THE ROUGH OPENING.**
6. Center door in rough opening. Square the entire door by measuring corner to corner then shim accordingly.
7. Place lock side installation screws into jamb track (same track in which strike is located). Be sure to shim side jambs so that overall width in center is same as top width and bottom width.
8. On fixed panel side, remove the vinyl cover piece on the inside of the jamb with a putty knife. Do this by prying on the rounded edge of the vinyl cover piece at the top interior of the jamb (near the top bumper stop). Place installation screws behind this cover and replace cover when done.
9. Adjust trolleys under sliding door panel until panel is level and square to sill. Trolley adjustment can be accessed from the edge of the patio door by removing the round end cap to expose the screw head.
10. Make sure the head of the main frame is straight and level and adjust as needed.
11. Inspect sliding door panel operation for smooth travel and proper alignment with master frame.
12. Apply support block under the front edge of sill.
13. Insulate around main frame, but do not over pack as this may bow or distort the frame.
14. Caulk around perimeter of patio door inside & outside. Do not caulk over the weep holes at the exterior.

Quaker Window Products reserves the right to implement design modifications &/or product changes at any time which may cause installation instructions to vary slightly.



A Tradition of Quality
since 1949!

