

08 51 00/OPT
BuyLine 0209



Optimum

Window Manufacturing Corp.



the
architect's choice for
fire rated & custom metal
windows and doors

For over 25 years Optimum Window Manufacturing Corp. has made its mark in the window industry as the largest and most diversified manufacturer of Fire Rated windows and doors in America.

Over the last 15 years the product offerings have grown to include hot rolled steel, bronze, aluminum and stainless steel windows and doors, all to the same exact standards that Optimum is well known for. We have re-organized this myriad of products into different product families to better explain the features and special characteristics of each. If your project requires metal windows and doors, Optimum is more than capable of giving you what you want, on time and under budget.

Precision and quality are the hallmarks of our workers within the 137,000 square foot manufacturing facility located in the Catskill mountains of New York. CNC machinery, fusion welding and our in house state of the art painting facility allows us to turn our multi million dollar inventory into beautiful windows and doors quickly and efficiently.

Let Optimum join you in creating your next project whether it is institutional, commercial or high end residential in scope. Optimum is ready to become your single source for custom metal windows and doors.

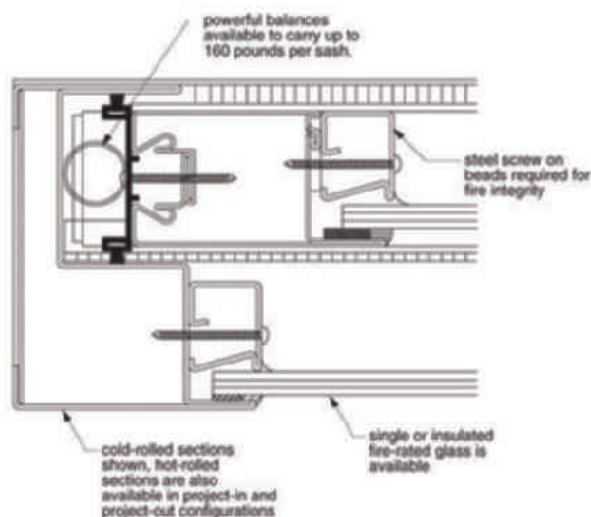
Fire

window & door system

Optimum is well regarded as the best fire rated window manufacturer in the industry. We are the only company to offer a complete line of UL approved 45 minute fire rated windows & doors such as:

- 7650TSH series Single hung
- 7650TDH series Double hung
- 8600 series Projected
- FR4700 series Casement
- 7600TSS series Sliding
- 6000 & FR55 series Fixed
- FR55 series Single and Double doors.

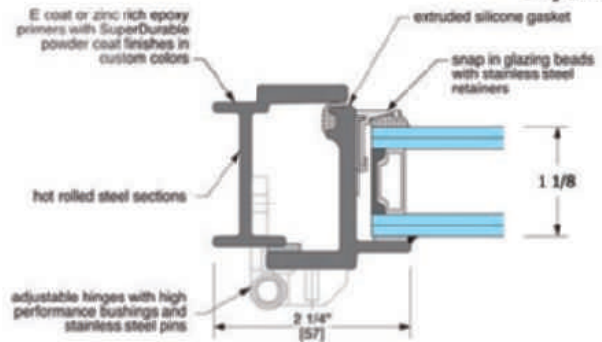
Units can be purchased in a variety of colors and glazing options. Optimum is currently testing it's units for 60 & 90 minute ratings. Ask your local sales representative for additional information.



www.optimumwindow.com



08 51 00/OPT
BuyLine 0209



- Hot Rolled Steel Sections.

- 4500 series (The Classic) framing system, allows up to 3/4" glazing. This series comes closest to duplicating the pre-existing windows with the advantage of better finishes, weather-stripping, hardware & glazing options.

- 4700 series (The Modern) framing system, allows for up to 1 1/8" thick glazing. This series is mostly used in contemporary architecture and allows the designer to use thicker glass which translates to larger spans without the use of glass dividing muntins.

Both series are available with the following;

- Dual weather-stripping.
- E coating, and galvanizing
- Custom colors and finishes
- True or SDL muntins
- Fully welded construction.
- Perfect for Historic Renovations, modern or classic custom homes, and commercial projects where durability and life cycle are critical.



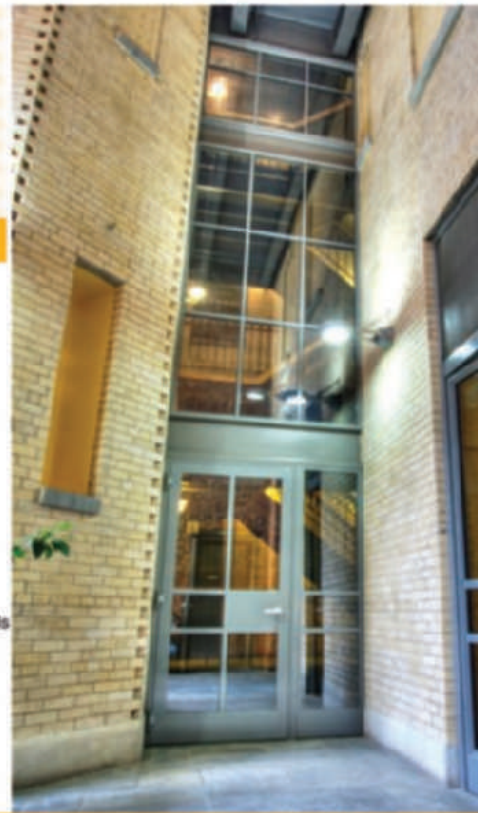
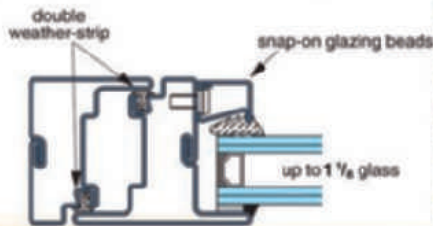
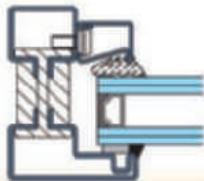
FLeX

Bronze
Mild Steel
Cor-Ten Steel
Stainless Steel

window and door systems

The Flex series is specifically designed for those who want, what else but "FLEXIBILITY" when creating a new project. There is no other window & door system on the market today that allows the end user the choice of 4 different base metals (Bronze, Mild Steel, .316 Stainless steel and Cor-Ten steel). The choice of metal does not have an impact on the design since all of the sections are identical in overall dimensions. All units are double weather-stripped and can accommodate a variety of custom hardware. So whether you have residential coastal application or a villa in the mountains, the Flex series has a design and choice of metal for you.

optional
thermal
barrier
available



Metro

aluminum window & door system

The Metro system has been designed for high performance applications such as office buildings, condo's and coastal applications.

Advantages

- Easy Maintenance
- Maximum Opening and acoustic insulation
- Polyamide Thermal Break
- Possibility to Combine Different types of windows and doors



Windows:



2 wings



1 wing



Tilt-and-turn
Doors:



2 wings

Optimum

Window Manufacturing Corp.

28 Canal St. • Ellenville, NY 12428
(845) 647-1900 • fax (845) 647-1494
www.optimumwindow.com