

BAY AND BOW INSTALLATION INSTRUCTIONS

NOTE: REMOVE SHIPPING BLOCKS FROM BOTTOM BEFORE INSTALLATION.

- 1) Frame rough opening to recommended dimensions (ADD 1/4" to window width and height). Make sure the sill is flat, level and strong.
- 2) Jamb studs, and headers must be level and plumb.
- 3) Pre-Drill the head and sideboards of the unit for installation screws or finishing nails. (A minimum of (3) three holes on head and side boards). Drill holes approximately 1 3/4" away from inside edge of wood and spaced every 12-14 inches apart.
- 4) Position window unit on sill in center of rough opening. The inside wood edge of the unit should be even with the inside wall surface of the house.
- 5) Block and shim the unit at the top and sides behind each pre-drilled hole drilled in step # 3 of these instructions. Do not bow sides.
- 6) Install 3" flathead wood screws or finishing nails in each of the pre-drilled holes. Be certain to drive head approximately 1/8" into the wood. Finish with wood putty.
- 7) Loosely fill any voids with batt insulation.
- 8) Install a minimum of two supports (by others) below the bottom platform of the unit and anchor supports into structural members (studs).
- 9) On overhang installations, you must finish from headboard to overhang and fill with insulation. If no overhang exists above window, install a decorative cap or roof. (by others).
- 10) Install finish trim around interior perimeter of unit.
- 11) Finish and seal outside perimeter of unit.
- 12) Cover underside of seatboard with rigid insulation or an additional 3/4" thick board.
- 13) Finish the interior wood of the unit with stain or varnish to protect it.

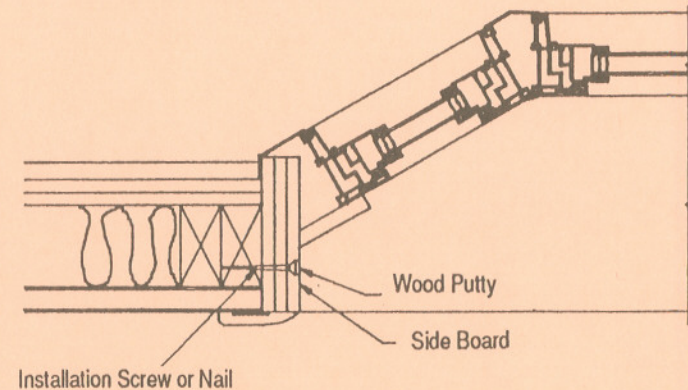
NOTES:

Caulking may be required on the outside of the unit along the vertical joints where mullions contact each window.

DO NOT install air conditioner in bow/bay unit.

Use Soft-Scrub® or similar product to clean vinyl.

JAMB DETAIL



VERTICAL DETAIL

