



Thank you for selecting JELD-WEN products. Attached are JELD-WEN's recommended installation instructions for wood patio doors without exterior trim or nailing fin. Read these instructions thoroughly before beginning. They are designed to work in most existing applications, however; existing conditions may require changes to these instructions. If changes are needed, they are made at the installer's risk. For installations other than indicated in these instructions, contact a building professional.

Newer construction methods have led to an increase in air and water tightness in buildings. This frequently leads to negative air pressure inside the home, which can draw water through very small openings. Our installation method seals the patio door to the weather barrier (typically building wrap) and uses a sill pan to capture and drain incidental water from under the patio door.

IMPORTANT INFORMATION & GLOSSARY

Not all patio door types may be installed into every wall condition in all areas. Consult your local building code official for applicable building codes and regulations. Local building code requirements supersede recommended installation instructions.

Please Note! Any patio door installation where the sill is higher than 35 feet above ground level or into a wall condition not specifically addressed in these instructions must be designed by an architect or structural engineer. Failure to install square, level and plumb and on a flat surface (without twist or warp) could result in denial of warranty claims for operational or performance problems.

Note to Installer: Provide a copy of these instructions to the building owner. By installing this product, you acknowledge the terms and conditions of the limited warranty as part of the terms of the sale.

GLOSSARY

Backer Rod (backing material)

A material (e.g. foam rod), placed into a joint primarily to control the depth of the sealant.

Buck

A wood framework attached to the masonry inside a window or patio door rough opening.

Mulled Unit

Two or more door units structurally joined together.

Pilot Hole


A drilled hole that is no larger than the body of the screw (minus the threads).

Shiplap

The layering method in which each layer overlaps the layer below it so that water runs down the outside.

Please allow sufficient time to properly prepare the rough opening, install the patio door, and ensure its proper operation.

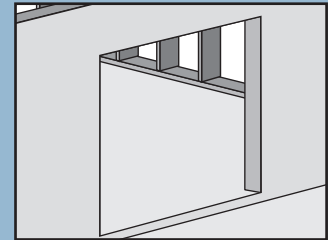
Estimated Install Time for New Construction	<input type="text"/>	First Time: 4.0 hr.
	<input type="text"/>	Experienced: 2.5 hr.
	<input type="text"/>	Professional: 1.5 hr.



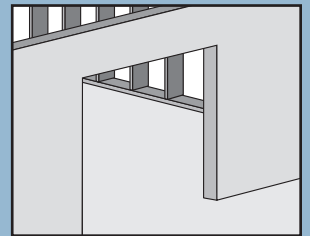
LANDINGS

These instructions cover two patio door sill conditions: the **step-down landing** and the **continuous slab landing**. The installation methods vary slightly between landing types.

Step-Down Landing



Continuous Slab Landing

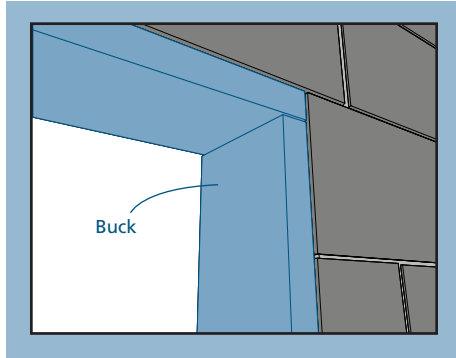


ROUGH OPENINGS

This installation guide specifically addresses masonry/block wall, sheathed wall and open-stud construction.

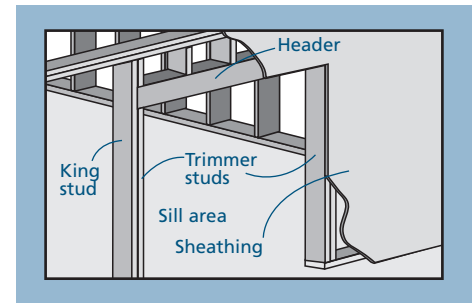
MASONRY/BLOCK WALL CONSTRUCTION

This installation assumes that a building professional has already properly fastened and sealed a framework of studs (often called a buck) to the concrete/masonry wall.



FULLY SHEATHED WALL CONSTRUCTION

The wall framing is covered by sheathing and the door will be mounted inside of the rough opening. This installation assumes building wrap is properly installed prior to installation.



OPEN-STUD CONSTRUCTION

The wall framing is not covered by sheathing.

SAFETY & HANDLING

SAFETY

- Read and fully understand ALL manufacturers' instructions before beginning.
- Do not work alone. Two or more people are required. Use safe lifting techniques.
- Use caution when handling glass. Broken or cracked glass can cause serious injury.
- Wear protective gear (e.g. safety glasses, gloves, ear protection, etc.).
- Operate hand/power tools safely and follow manufacturer's operating instructions.
- Use caution when working at elevated heights.

MATERIALS & PATIO DOOR HANDLING

- Make sure the operating panel is secured prior to installation.
- Heed material manufacturers' handling and application instructions.
- Protect adhesive surfaces from dirt, moisture, direct sunlight and folding over onto themselves.
- Handle in vertical position; do not drag on floor.
- Do not put stress on joints, corners or frames.
- Store patio door in dry, well-ventilated area in vertical, leaning position to allow air circulation; do not stack horizontally.
- Protect from exposure to direct sunlight during storage.
- Install only into vertical walls and when conditions and sheathing are dry.

IF INJURY OCCURS, IMMEDIATELY SEEK MEDICAL ATTENTION!

NEEDED MATERIALS & TOOLS

MATERIALS

- #10 x 3" pan head corrosion-resistant screws. Fasteners must penetrate at least 1" into framing.
- 3/16" x 2 1/2" self-tapping concrete screws (for concrete subfloors)
- Non water degradable or compressible shims
- JELD-WEN 6" wide self-adhesive flashing (part #08987) or equivalent (9" if required by local code)
- Protecto Wrap Safseal Systems 5500 spray adhesive/primer (or as recommended by the self-adhesive flashing manufacturer)
- Sealant (100% polyurethane if painted, 100% silicone if left exposed) and backer rod
- Polyurethane low expansion foam
- Plastic drain screen with crisscross or woven pattern (sold in 6" widths to protect rain gutters) for step-down landings

- Sheet metal flashing or bendable vinyl sheeting for sill pan (6" wide for 2" x 4" wall)
- 3/8" staples for step-down landings

Note! Follow all material manufacturers' instructions for proper use and compatibility.

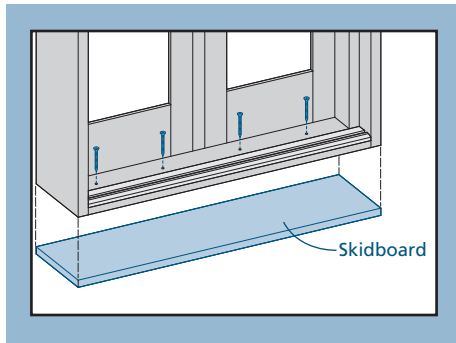
TOOLS

- Cutting shears (sill pan)
- Tape measure
- Utility knife
- Level (4' minimum recommended)
- J-roller
- Caulking gun
- Hammer/drill
- Construction stapler
- Flat head screwdriver

1 REMOVE PACKAGING & INSPECT PATIO DOOR

REMOVE PACKAGING

Remove shipping materials such as corner covers, shipping blocks or pads. Remove the skid board attached to the bottom of the door and save screws for securing the sill. Remove any staples exposed on the frame, but leave any glass protective films on.



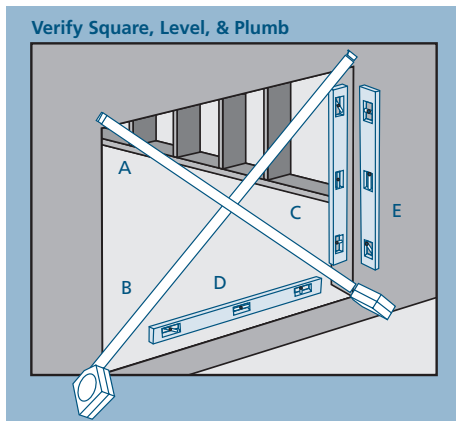
INSPECT PATIO DOOR

- Cosmetic damage
- Correct product (size, color, grid pattern, handing, glazing, energy-efficiency requirements, etc.)
- Drip cap that extends the length of the frame plus 1/16" overhang on each end is required

If any of the above conditions represent a concern, or if you expect environmental conditions to exceed the patio door's performance rating, do not install the patio door. Contact your dealer or distributor for recommendations.

2 INSPECT ROUGH OPENING

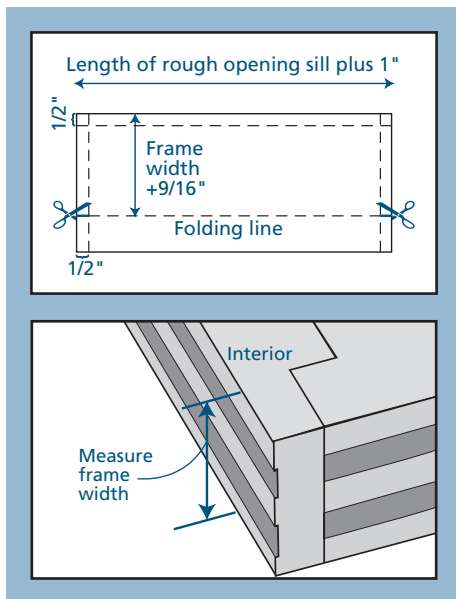
- Verify the width and height of the patio door are each 1/2" - 3/4" smaller than the rough opening width/height. Muller units should be 3/4" smaller.
- Verify the rough opening is square. The (A) and (B) measurements should be the same. Maximum allowable deviation from square is 1/8" for doors less than 20 square feet and 1/4" for doors over 20 square feet.



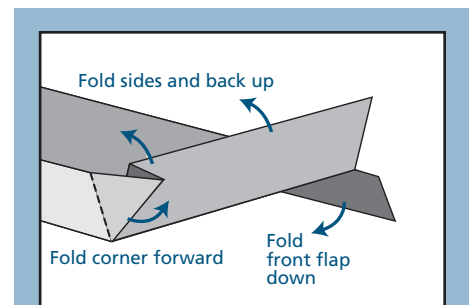
- Verify the rough opening is plumb and level (C) and (D). The maximum allowable deviation is 1/8".
- The rough opening sill must not be crowned or sagged (D).
- The exterior face of the rough opening must be in a single plane (E) with less than 1/8" twist from corner to corner.
- Minimum double studs should be used at all wood framed rough openings.
- The header must be supported by trimmer studs.

3 PREPARE SILL PAN

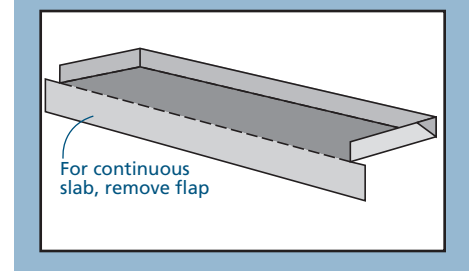
1. Cut a piece of sheet material to the length shown.
2. Lightly crease folding lines 1/2" in from the two short sides and one long side.
3. Measure the width of the frame and add 9/16".
4. Take this distance from the back edge and lightly crease a folding line across the sheet material.
5. For step-down landings, cut 1/2" in at the folding line on both sides of the sheet material.



6. Fold the three back sides up to make a 3-sided box, and, for step-down landings, fold the front flap down.



7. For a continuous slab, cut across the folding line.



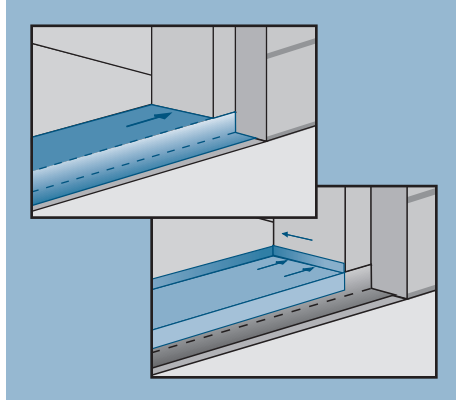
4 INSTALL SILL PAN

If installing into masonry:

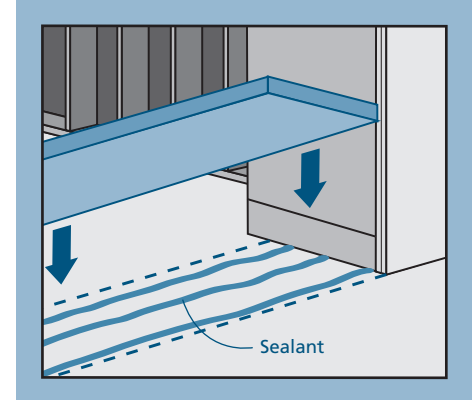
1. Cut a piece of self-adhesive flashing the length of the sill.
2. Cut a notch out of each end and apply to the sill as shown.

Both installations:

1. Set the sill pan in the rough opening, aligning the front edge (for continuous slab,) or folded down edge (for step down) with the exterior edge of the rough opening.



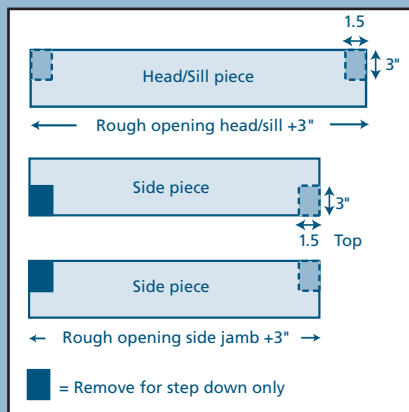
2. Mark a line across the front and back of the sill pan.
3. Apply three 3/8" beads of sealant between the lines.
4. Place the sill pan in the rough opening. Firmly press the sill pan into the sealant with a J-roller.



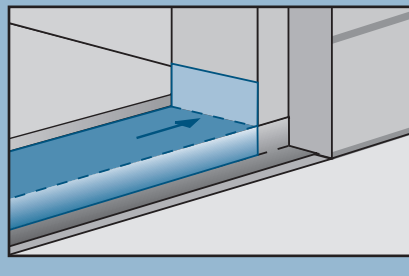
5 PREPARE BUCK

Note! This section covers installations into a buck only. For, stud-framed wall installations skip to section 6, "PREPARE STUD-FRAMED WALL."

1. On the exterior, coat the buck and surrounding concrete/masonry with self-adhesive flashing primer. Follow manufacturer's instructions for application procedures.
2. Seal the joint between the buck and the concrete/masonry with JELD-WEN self-adhesive flashing as follows:

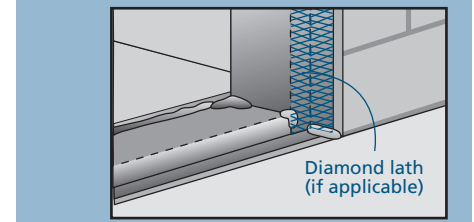
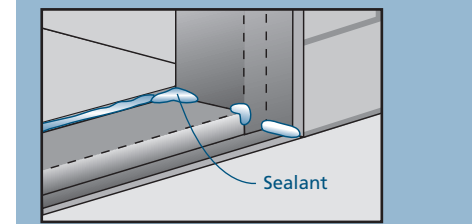
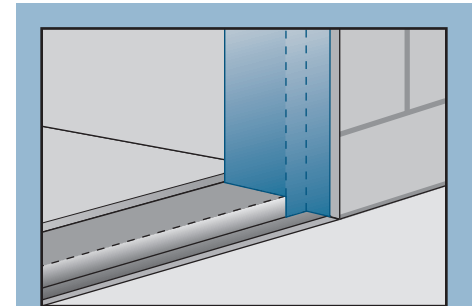


- a. Cut four pieces of self-adhesive flashing for the sill, sides and head as shown.
- b. Apply the sill pan piece of self-adhesive flashing over the sill pan as shown. The bottom of the sill pan should be sealed by the flashing.



Note! Do not allow gaps or bubbles beneath the flashing (remove and replace if necessary).

- c. Remove the upper end corner of each side piece, and for step-down landings, remove the lower end corner.
 - d. Apply the side pieces of self-adhesive flashing.
 - e. Remove the corners of the header piece and apply.
3. Apply sealant across flashing/masonry joints at corners of masonry opening.
 4. Apply diamond lath to all flashed surfaces to be covered by stucco.



END of Buck Instructions, SKIP to section 7, "PREPARE PATIO DOOR."

6 PREPARE STUD-FRAMED WALL

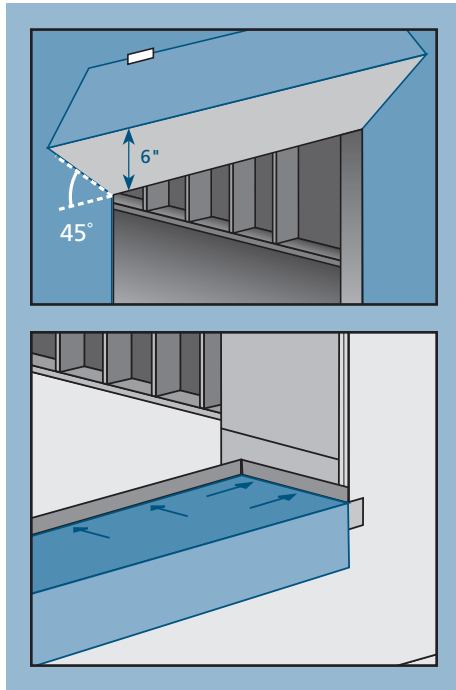
FOR RETROFIT INSTALLATIONS

After removing the old patio door, remove sufficient siding to expose at least 9" of intact building wrap. If damaged, apply new building wrap in a shiplit manner. Verify header and trimmer studs are structurally sound.

PREPARE BUILDING WRAP

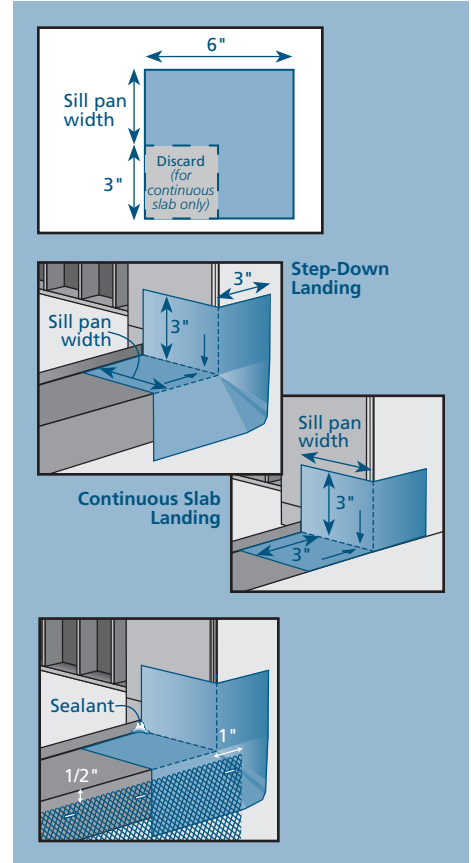
Verify these steps do not void the building wrap manufacturer's warranty.

1. Trim building wrap flush with the edges of the rough opening.
2. At the head, slit building wrap 6" at 45°. Tape up as shown.
3. Apply spray adhesive/primer to the sill pan and surrounding area. Follow manufacturer's instructions for application methods.
4. Cut a piece of JELD-WEN self-adhesive flashing the length of the sill and apply over the sill pan as shown. The bottom of the sill pan should be completely covered by the self-adhesive flashing. For step down landings, fold flashing down as shown. For continuous slabs, trim flush with rough opening.



The bottom of the sill pan should be completely covered by the self-adhesive flashing. For step down landings, fold flashing down as shown. For continuous slabs, trim flush with rough opening.

5. Cut two pieces of JELD-WEN self-adhesive flashing 6" wide by the sill pan width + 3" long.
 - a. For continuous slab landings only, cut out the inside corner.
 - b. Adhere the pieces of flashing to the exterior corners. Stretch flashing as needed to cover corners and lay flat.



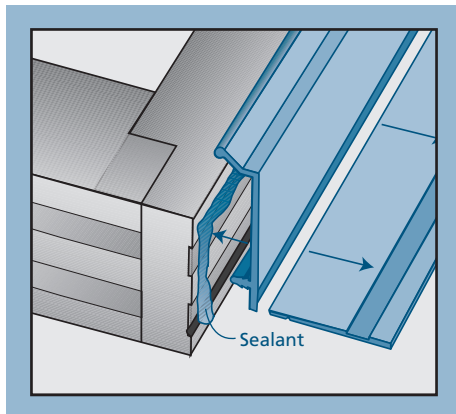
6. Smooth gaps or bubbles beneath self-adhesive flashing with a J-roller (remove and replace if necessary).
7. Seal back corners of sill pan with sealant.
8. For step-down landings only, cut plastic drain screen to length of sill + 2" and staple 1/2" below sill edge. The drain screen provides a path for air to dry any incidental moisture in the rough opening.

End of Stud-Framed Wall Instructions continue with section 7 "PREPARE PATIO DOOR."

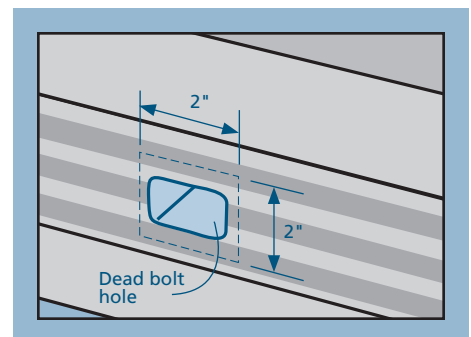
7 PREPARE PATIO DOOR

APPLY DRIP CAP

1. With the exterior face up, apply a 1/4" bead of silicone across the header as shown.
2. Center the drip cap on the header and mechanically fasten with appropriately sized nails or screws. Be sure the fastener does not completely penetrate the frame header.



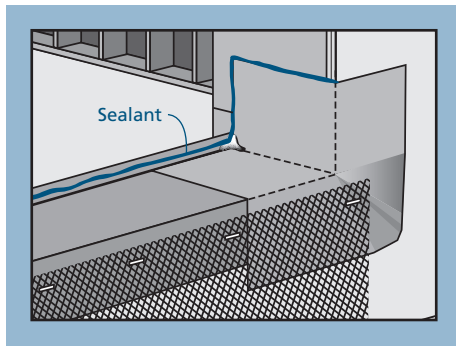
3. Inswing/outswing doors will need a strip of self-adhesive flashing applied over the dead bolt hole on the exterior side of the frame as shown.



8 INSTALL PATIO DOOR

Warning! To avoid injury, use at least two people to install. Adequately support the door until fully installed.

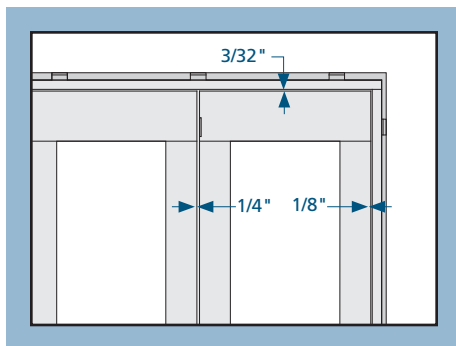
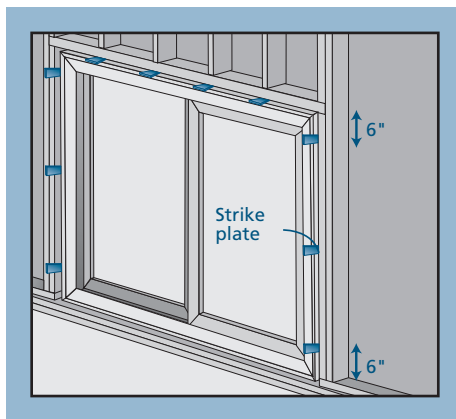
1. Apply a 3/8" continuous bead of sealant across the sill pan back dam and over the flashing joints as shown.
2. Tilt patio door into the rough opening. Make sure the back of the door makes solid contact with the sealant.



SHIM THE JAMBS

Note! Each location must be shimmed with two opposing shims. Secure all shims with sealant.

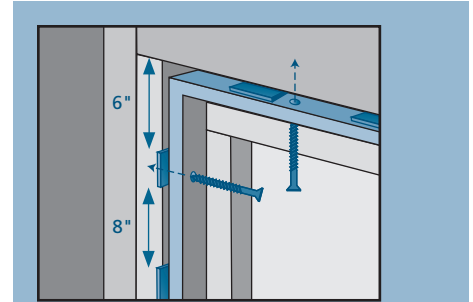
1. From the interior, shim the hinged side jamb at every hinge (swinging doors). Shim the latch jamb 6" from the corners and at the strike plate.
2. Shim all other jambs 6" from the corners and at center.
3. Shim the head jamb 6" from the corners of each panel and at the strike plate if present. Position shims so that strike plate screws will penetrate shims.
4. Inspect the patio door for square, level, and plumb. Test for proper operation (remove and reinstall if necessary).
5. For center hinge patio doors only, check for proper reveal (clearance) between the frame and panels at the side jambs and head as shown.



SECURE PATIO DOOR

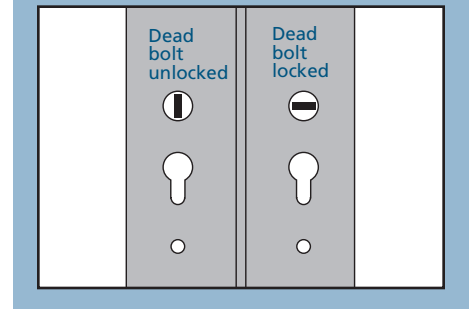
Note! Apply sealant to screw threads before installing. Countersink for wood putty or plug covers if desired. On the Custom Wood Inswing door the screws will have to be driven through the exterior door jamb on the stationary side.

1. Fasten patio door using #10 x 3" screws through the shims in the jambs and next to the shims in the head: 6" from the corners and 8" apart all the way around the patio door.
2. Secure each strike plate through the shims with #10 x 3" screws.



STEPS 3 and 4 are for swinging doors only.

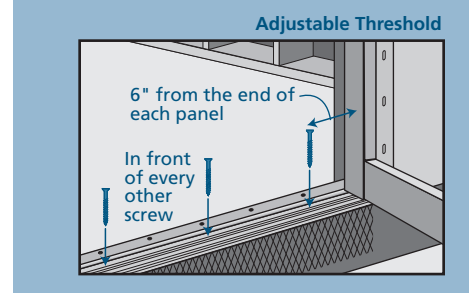
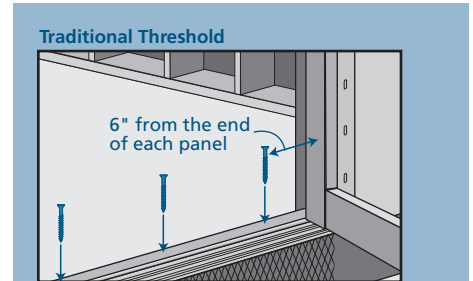
3. Unlock the deadbolt with a small flathead screwdriver and open doors.
4. Remove the spacer button from the bottom of the panels, or pine blocks from under aluminum sill.



STRUCTURALLY SECURE SILL (SWINGING DOORS ONLY)

Note! Apply sealant to the threads of all screws, and, after installation, cover the tops of all screws with sealant. Use previously removed screws (if present) for wood subfloors or use 3/16" x 2 1/2" self-tapping concrete screws for concrete.

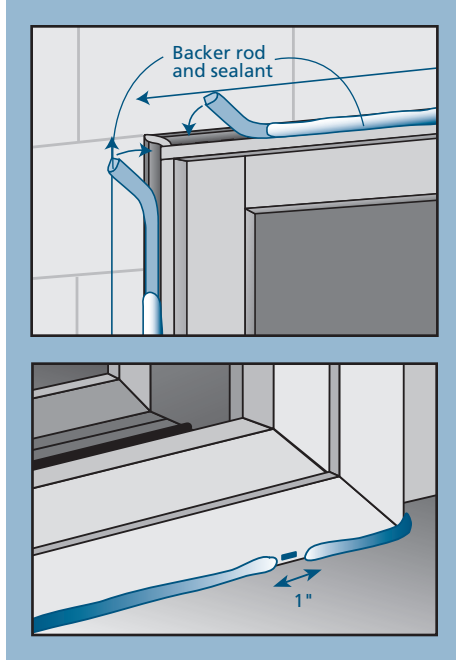
1. For traditional thresholds, secure the threshold 6" from each end of each panel. For adjustable thresholds, also place screws through the aluminum sill in front of every other adjustable threshold screw.
2. For outswing patio doors, replace the screws on the sill keeper with the #8 x 2 1/4" pan head screws provided.
3. Fill any holes in the sill with sealant.



9

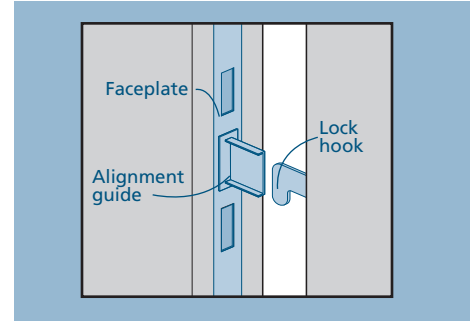
COMPLETE INSTALLATION

1. On the exterior, apply backer rod and sealant between the frame head/side jambs and the rough opening.
2. Release the building wrap from above the header (previously taped up) and overlap the drip cap. Seal the ends with self-adhesive flashing or building wrap tape.
3. Apply a 1/4" bead of sealant around the sill where it meets the slab or step. Leave 1" gaps at weep holes as shown.
4. Ensure sealant on back dam of the sill pan fully seals to the inside face of the sill. Apply more sealant as necessary.
5. Install lockset hardware per supplied instructions.
6. Some French double door units may require installing lock bolts at the top and bottom of the inactive panel. Locate the center point of each lock bolt, drill 3/8" bolt holes and install keeper plates.



ADJUST LOCK

1. Loosen the lock hook screws in the side jamb so it can be moved up or down.
2. Insert the alignment guide into one of the openings in the faceplate.
3. Carefully close the panel and raise or lower the lock hook until it aligns with the slots in the faceplate. Tighten the screws.
4. To lock the door, rotate the thumb turn 90°.



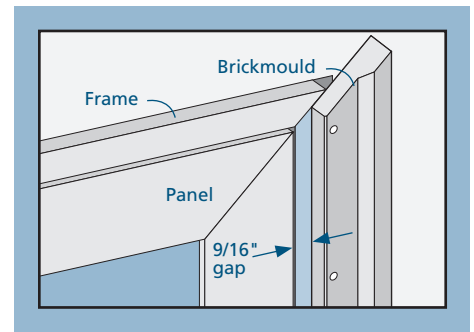
ADJUST SLIDING DOOR PANEL ROLLERS

Note! Adjust the panel high enough to avoid drag. Keep door panel parallel to the jamb by almost closing the door and looking for an even reveal/gap.

Remove both door roller adjustment plugs on the interior bottom of the operating panel. Using a flat head screwdriver, turn the screw counterclockwise to raise the panel or clockwise to lower it.

INSTALL EXTERIOR TRIM

For wood exterior doors not assembled with brickmold casing, attach the pre-cut brickmold 9/16" from the interior frame edge to the sides and head with 2 1/2" casing nails. Seal brickmold to frame with silicone sealant and tool into a fillet joint.

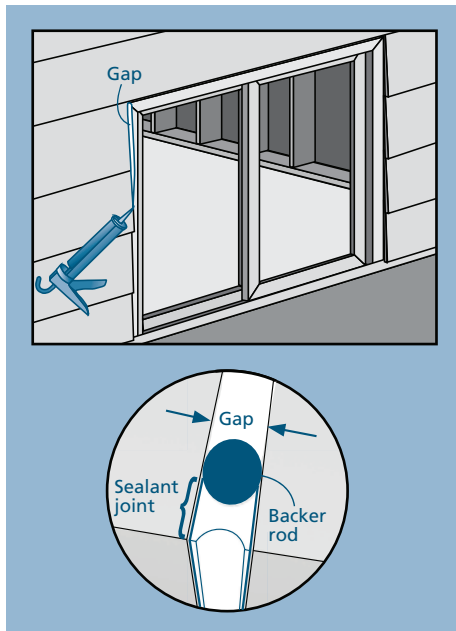


9

COMPLETE INSTALLATION - CONTINUED

COMPLETE INSTALLATION

- On the exterior of step down landings, install support trim underneath the sill where it extends past the landing. Position trim snugly against the bottom of the sill toe.
- Adjust patio door for best operation.
- Create a continuous air seal on the interior between the rough opening and the frame with low expansion foam or backer rod and sealant.



AFTER INSTALLATION

- Install exterior wall surface within seven days of installation.
- Maintain gap of 1/4" - 3/8" between door frame and final exterior wall surface (siding, stucco, etc.).
- Seal this gap on the sides with backer rod and sealant. For step-down landings, also seal under the patio door sill with a discontinuous joint. Do not apply sealant on top of the drip cap.
- Seal any gaps or openings at end of horizontal mull joints with sealant.
- Remove protective film (if applicable) on glass within one year and immediately from cladding.
- Protect recently installed units from damage from plaster, paint, etc. by covering the unit with plastic.

Please visit jeld-wen.com/resources for finishing instructions, warranty and care and maintenance information.

Thank you for choosing

